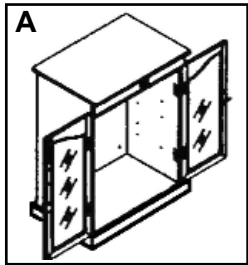


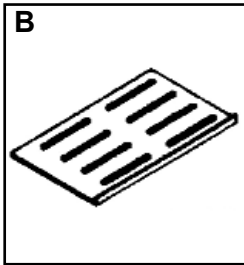
**Thank you for purchasing Don Salvatore's
Top Half Only Humidor with Beveled
Glass Doors, #1481!**



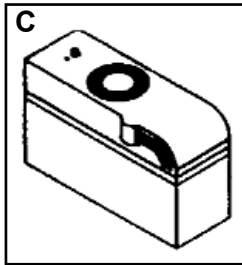
PARTS:



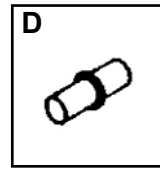
A
1 piece



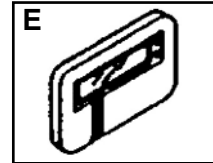
B
3 pieces



C
1 piece

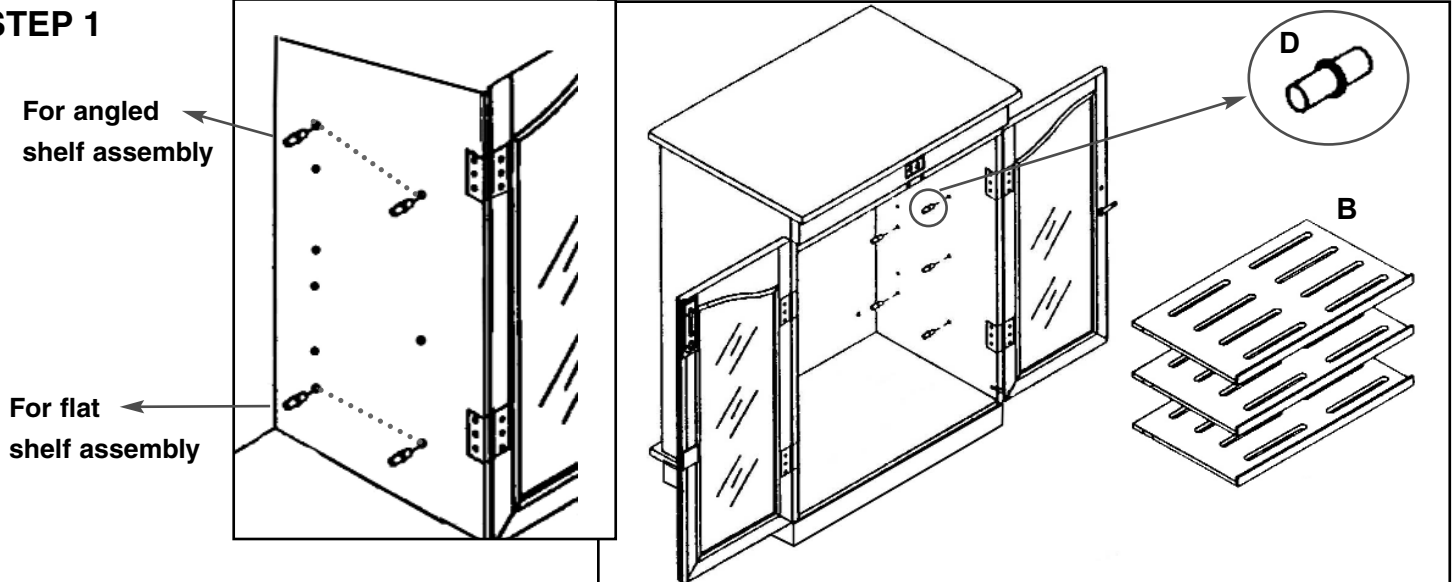


D
12 pieces



E
1 piece

STEP 1

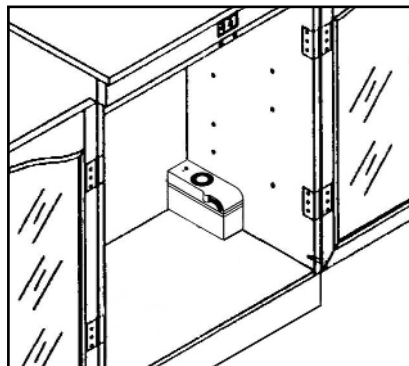
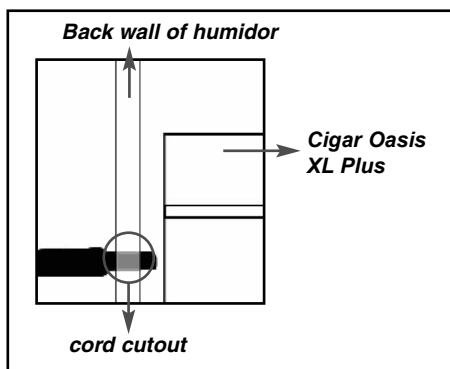


STEP 2

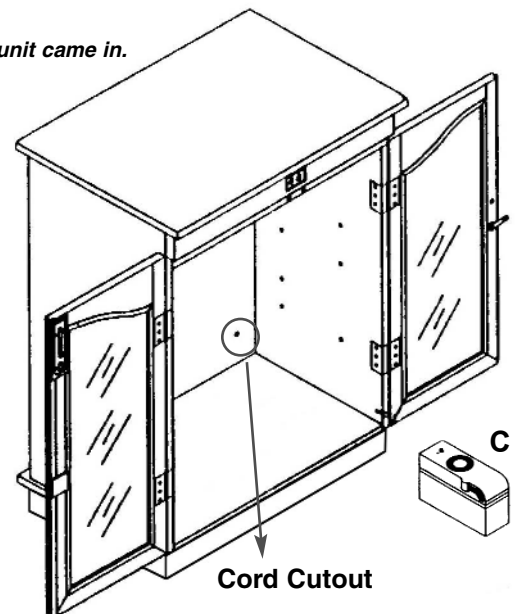
Push the tip of the connector through the cord cut out from behind the unit. Insert connector into the Cigar Oasis XL Plus as show in the instruction sheet for the unit. (See illustration A)

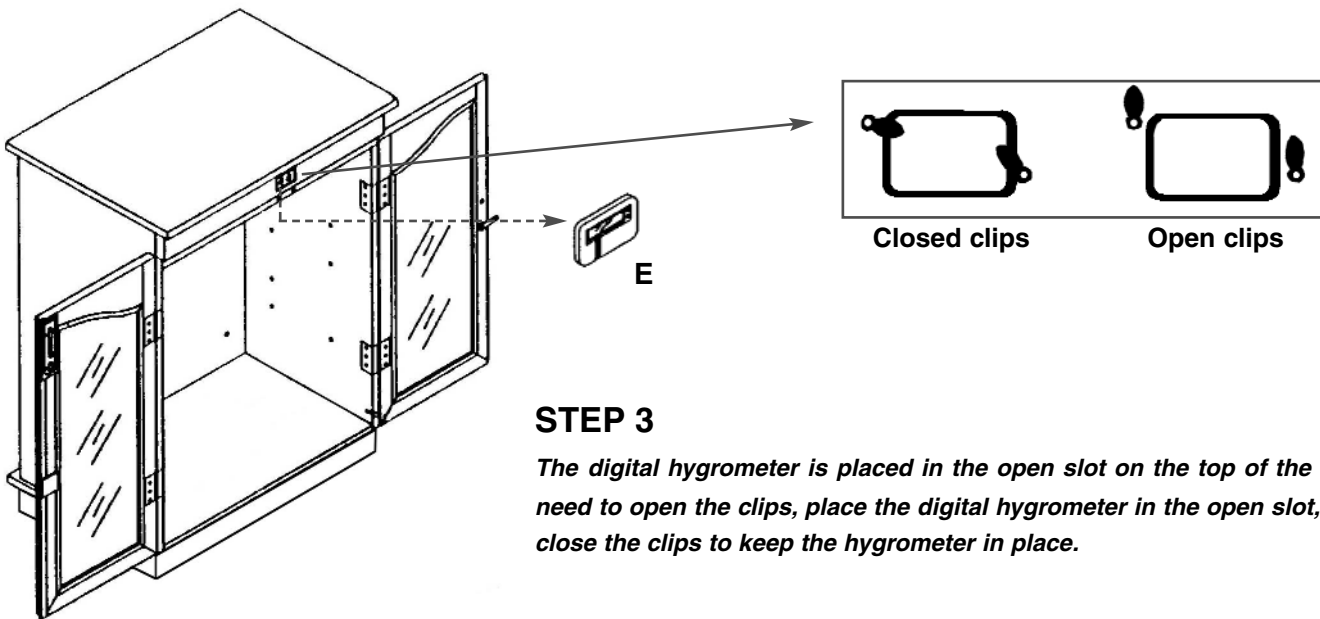
NOTE: Instruction sheet for the Cigar Oasis XL Plus can be found in the box the unit came in.

illustration A - side view



Suggested placement for Cigar Oasis XL Plus is flat against the inside back of the cabinet.





STEP 3

The digital hygrometer is placed in the open slot on the top of the unit. You need to open the clips, place the digital hygrometer in the open slot, and then close the clips to keep the hygrometer in place.

PREPARING YOUR HUMIDIFICATION SYSTEM

Each unit comes with the Cigar Oasis XL Plus Humidification system. You'll notice on the inside bottom right corner of the top unit is a removable peg. Plug the adapter for the Cigar Oasis XL Plus into an outlet. Then from the back of the unit push the small connector through the predrilled hole and plug it into the Cigar Oasis XL Plus inside the humidor. **(Refer to Step 6) Be sure to thoroughly read the operating instructions for the Cigar Oasis XL Plus** which are located with the unit.

Normally you do not need to season your humidor since the Cigar Oasis XL Plus humistat is included. However, if you are in an extremely dry area and you do wish to season your humidor, simply follow the seasoning instructions below:

SEASONING YOUR DON SALVATORE HUMIDOR (OPTIONAL)

To season your humidor, take a new sponge - make sure it is unscented and free of soap - and wet it with a liberal dose of distilled water. Wipe down all the exposed wood, including shelves. Avoid using a paper towel or a fraying cloth; these will literally leave a paper trail on the wood. After you've wiped down the wood, squirt the sponge with more distilled water, then place it inside the humidor on a plastic bag - to avoid direct contact with the wood - and shut the doors.

Next, you need to prepare your humidification device. Follow the instructions that are included with the Cigar Oasis XL Plus Humistat.

Close the humidor with its humidifying element and the damp sponge, and leave it overnight. The next day, refresh the humidification device (it may not need it) and check the sponge. If it is fairly dry, add more distilled water. If it is very damp, leave it alone.

Let the humidor sit another night, and then remove the sponge and plastic bag. The walls of the humidor have now absorbed the water they need, and now you can safely store your cigars.

SPECIAL CARE INSTRUCTIONS

*****When placing your Two Tier Cabinet Humidor in your home, office, or business be sure to keep it away from direct sunlight and heating vents as excess heat will affect the storage of cigars*****

As with all fine wood furniture, simply dust your Don Salvatore Humidor regularly with a clean, soft cloth. You can use a glass cleaner on the glass doors to remove fingerprints or smudges. No liquid or spray dusting or waxing product is necessary. However, if you do elect to use such products, follow all manufacturer's directions very carefully. Make sure to avoid getting any such product into the interior of your humidor.

QUESTIONS OR CONCERNS?

Feel free to contact our customer service department! Customer service is available Monday - Friday 7:30am - 4:30pm CST. Customer service can be reached toll free at 800-886-8688 or by email mgonzalez@buddyproducts.com.

Thank you for choosing Don Salvatore!



Don Salvatore
Toll Free: 800-886-8688
Phone: 312-733-6400
Fax: 312-733-8356
www.donsalvatore.net